

2 x 62890

19792-04



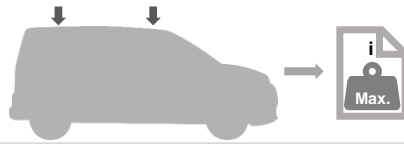
2 x R6288

2 x M8x25

R6600



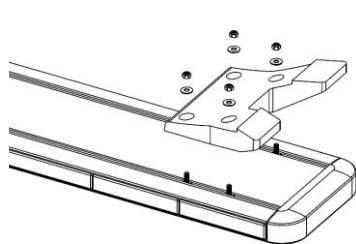
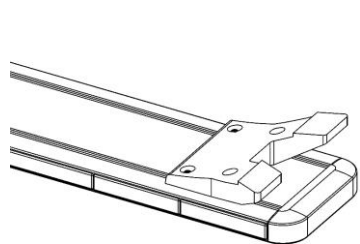
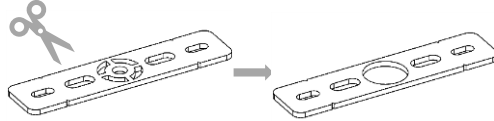
= 11.4 kg



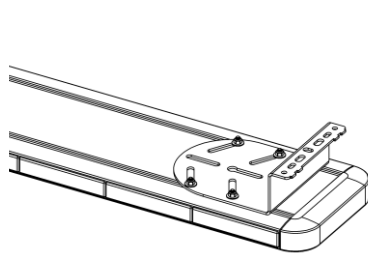
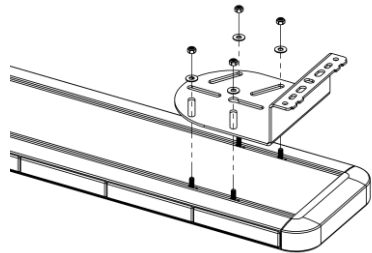
2

1

2x



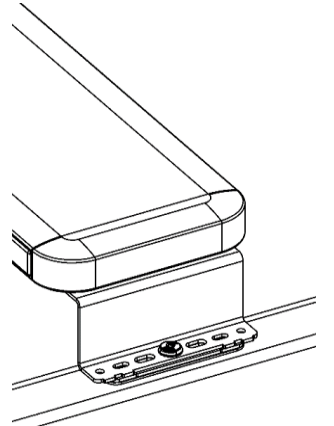
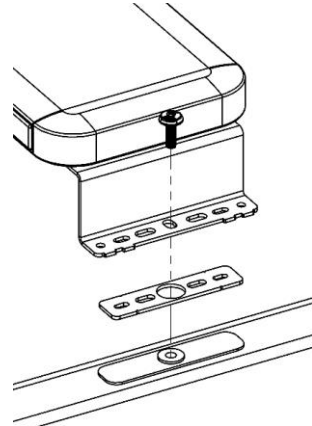
3



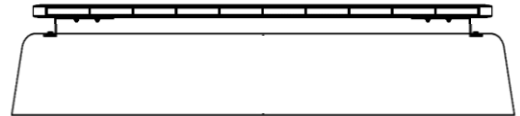
4



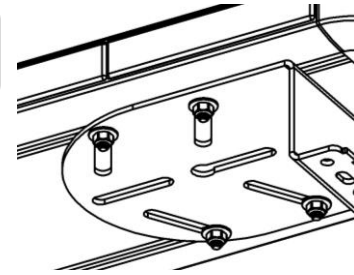
M8x25



5



12Nm



20Nm

